

AXIS Q1765-LE Network Cameras

Full featured, all integrated bullet-style outdoor-ready cameras



- > 18x zoom and autofocus
- > OptimizedIR
- > Bullet-style
- > Slim design and low-weight
- > Outdoor-ready

The bullet-style, outdoor-ready AXIS Q1765-LE and AXIS Q1765-LE PT Mount Network Cameras are especially adapted for installation on buildings, for monitoring entrances and exits, parking lots, toll booths, service stations and for general city surveillance purposes.

AXIS Q1765-LE Network Cameras deliver exceptional image quality including SMPTE-compliant HDTV 1080p and provide multiple, individually configurable H.264 and Motion JPEG video streams. The cameras support wide dynamic range (WDR) with 'dynamic contrast' that handles a wide range of lighting conditions in a scene.

The cameras' OptimizedIR solution incorporates new long-life and highly power-efficient LED (850 nm) technology. The four LEDs cover up to 15 m (50 ft) in the widest field of view and up to 40 m (130 ft) when the camera is in full tele view.

The motorized optical zoom up to 18x and autofocus allows the cameras to cover great distances providing both wide overviews as well as detailed images for identification purposes.

AXIS Q1765-LE PT Mount model has a serial port for RS422/485 communication with pan-tilt motors that support Pelco D protocol.

AXIS Q1765-LE cameras offer ease of installation capabilities with one-cable installation. Low, environmental-friendly power consumption is supplied by standard Power over Ethernet (IEEE 802.3af).

The compact and outdoor-ready cameras are lightweight yet tough with both IP66- and NEMA 4X-ratings. The Arctic Temperature Control capability allows reliable start-up in any temperatures from -40 °C to 50 °C (-40 °F to 122° F), making the cameras perfect for installation in places with challenging weather conditions.



AXIS Q1765-LE PT Mount

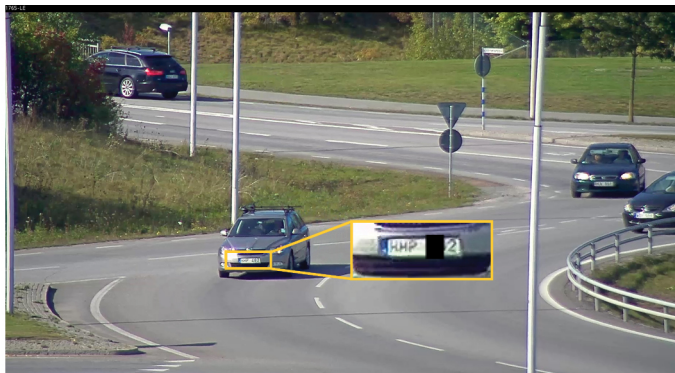


Powerful zoom with high image detail

AXIS Q1765-LE Network Cameras offer very high image detail with their HDTV 1080p performance in compliance with the SMPTE 274M standard regarding a 1920x1080 pixel resolution, 25/30 frames per second, HDTV color fidelity and a 16:9 format. Since HDTV 1080p provides more



than double the number of pixels as HDTV 720p (1280x740p), the combination of HDTV 1080p performance and 18x optical zoom allows AXIS Q1765-LE to catch details at longer distances than a camera with HDTV 720p and the same zoom factor.



The image to the left is taken with a digital single-lens reflex camera with a 50 mm lens – thus representing the view of the human eye. The image to the right is a snapshot from AXIS Q1765-LE in 18x zoomed-in view where the license plate of a car 275 m (900 ft) away can be read.

Day/night functionality and OptimizedIR

The cameras day/night functionality is useful for surveillance in indoor or outdoor environments with changing lighting conditions. The day/night functionality involves an automatically removable infrared-cut filter in the cameras. The filter is on during daytime or bright conditions, enabling the cameras to produce colors as the human eye sees them. In nighttime or low-light conditions, the filter is removed to enable the cameras to produce good quality black and white images. This functionality allows the cameras to extend their usefulness in low-light conditions and en-

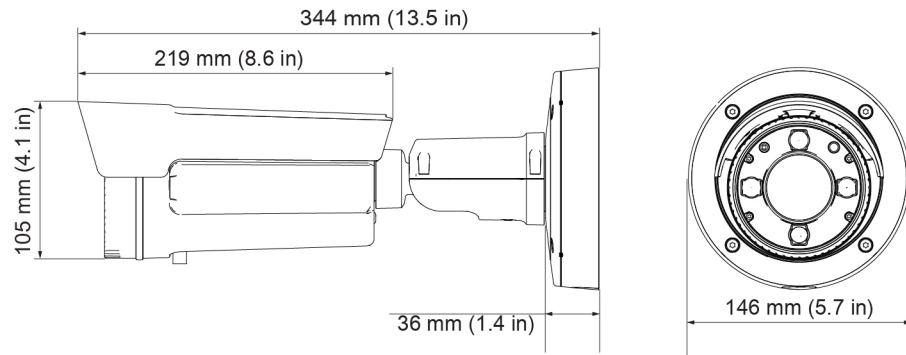
ables IR (infrared) illuminators to be used to further improve video quality in dark environments.

AXIS Q1765-LE Network Cameras have OptimizedIR, which is ideal for surveillance in complete darkness. Axis' OptimizedIR technology is based on new, smart, power-efficient and patented LED technology. It is designed for easy, cost-efficient and environmental friendly installation and results in high-quality, low-noise video, even when the environment is completely dark.

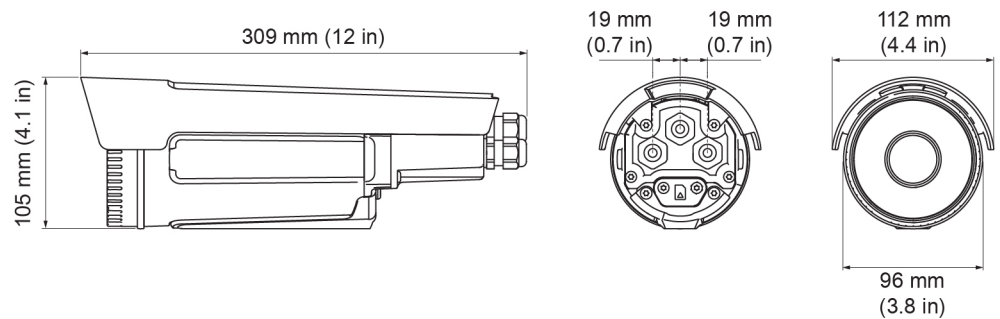


The above images are snapshots from AXIS Q1765-LE in Axis' Corridor Format and mounted indoors in a 30 m (98 ft) long hallway. The image to the left is in wide view and day mode at 600 lux. The image in the middle is taken in night mode at 0 lux with OptimizedIR on and shows a person at a 2 m distance from camera. In the image to the right, the AXIS Q1765-LE is in night mode at 0 lux with OptimizedIR on. The camera is in full tele view at 18x zoom and the person is at a 30 m distance.

Dimensions - AXIS Q1765-LE



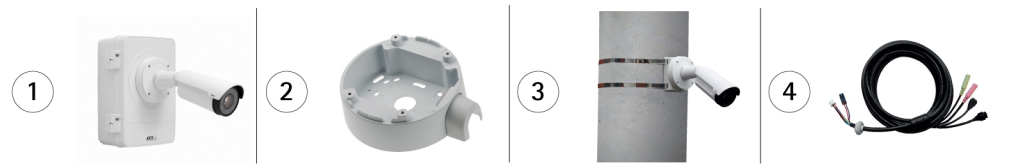
Dimensions - AXIS Q1765-LE PT Mount



Optional Accessories

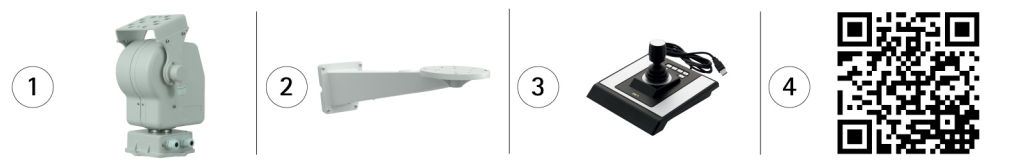
AXIS Q1765-LE

1. AXIS T98A17-VE
2. AXIS T94G01P Conduit Back Box
3. AXIS T91A47
4. AXIS Multicable A I/O Audio 5m



AXIS Q1765-LE PT Mount

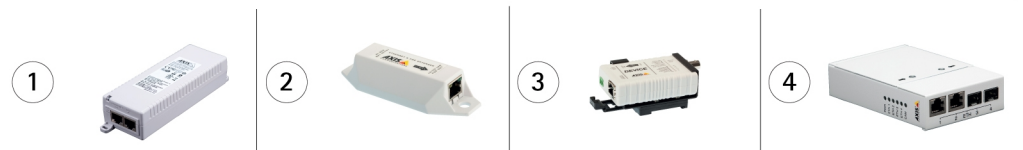
1. YP3040 Pan-Tilt Motor
2. YP3040 Wall Bracket
3. AXIS T8310
4. Scan for a complete list of accessories
www.axis.com/products/q17_series/



AXIS Q1765-LE &

AXIS Q1765-LE PT Mount

1. Axis PoE Midspans
2. AXIS T8129
3. AXIS T8640
4. AXIS T8604



Technical Specifications - AXIS Q1765-LE Network Cameras

Models	AXIS Q1765-LE AXIS Q1765-LE PT Mount	Event actions	File upload: FTP, HTTP, network share and email Notification: email, HTTP and TCP External output activation Video and audio recording to edge storage Pre- and post-alarm video buffering AXIS Q1765-LE: External output activation
Camera		Data streaming	Event data
Image sensor	Progressive scan RGB CMOS 1/2.9"	Built-in installation aids	Pixel counter
Lens	4.7-84.6 mm: 59° to 4°view ^a , F1.6-2.8, Autofocus, Automatic day/night	General	
Day and night	Automatically removable infrared-cut filter in day mode and infrared-pass filter 720 nm in night mode	Casing	IP66- and NEMA 4X-rated, Impact-resistant aluminum enclosure with integrated dehumidifying membrane Color: White NCS S 1002-B
Minimum illumination	Color: 0.5 lux at 30 IRE F1.6 B/W: 0.04 lux at 30 IRE F1.6 (0 lux with IR illumination on)	Memory	256 MB RAM, 128 MB Flash
Shutter time	1/28000 s to 2 s	Power	Power over Ethernet IEEE 802.3af; max 12.95 W 8-28 V DC max 15.2 W, 20-24 V AC max 22.0 VA
Video		Connectors	RJ45 10BASE-T/100BASE-TX PoE DC Power connector AXIS Q1765-LE: Multi-connector (not included): 2 configurable alarm inputs/outputs, Mic in, Line mono input, Line mono output (e.g. to active speaker) AXIS Q1765-LE PT Mount: RS485/RS422, 2 pcs, 2 pos, Full duplex, Terminal block
Video compression	H.264 Mainline and Baseline Profiles (MPEG-4 Part 10/AVC) Motion JPEG	IR illumination	Power-efficient, long-life 850 nm IR LED's with adjustable angle of illumination and intensity. Range of reach up to 15 m (50 ft) in wide field of view and up to 40 m (130 ft) in full tele view
Resolutions	1920x1080 (HDTV 1080p) to 320x180	Edge storage	microSD/microSDHC/microSDXC slot supporting memory card up to 64 GB (card not included) Support for recording to network share (network-attached storage or file server)
Frame rate	Up to 25/30 fps (50/60 Hz) in all resolutions	Operating conditions	-40 °C to 50 °C (-40 °F to 122 °F) Humidity 10-100% RH (condensing)
Video streaming	Multiple, individually configurable streams in H.264 and Motion JPEG Controllable frame rate and bandwidth VBR/CBR H.264	Approvals	EN 50121-4, EN 55024, EN 61000-3-2, EN 61000-3-3, EN 61000-6-1, EN 61000-6-2, EN/IEC/UL 60950-22, EN/IEC 62471 risk group 1 AXIS Q1765-LE: EN 55022 Class B, C-tick AS/NZS CISPR 22 Class B, FCC Part 15 Subpart B Class B, ICES-003 Class B, VCCI Class B, KCC KN22 Class B, KN24 AXIS Q1765-LE PT Mount: EN 55022 Class A, C-tick AS/NZS CISPR 22 Class A, FCC Part 15 Subpart B Class A, ICES-003 Class A, VCCI Class A, KCC KN22 Class A, KN24
Image settings	Manual shutter time, Compression, Color, Brightness, Sharpness, White balance, Exposure control, Exposure zones, Backlight compensation, WDR-dynamic contrast, Fine tuning of behavior at low light, Rotation, Text and image overlay, 3D privacy mask, Day/night shift level AXIS Q1765-LE: Axis' Corridor Format	Weight	AXIS Q1765-LE: 1.8 kg (4.0 lb) including the bracket AXIS Q1765-LE PT Mount: 1.5 kg (3.3 lb)
Pan/Tilt/Zoom	18x optical zoom and 12x digital zoom Preset positions	Included accessories	Connector kit, Installation Guide, Mini CD with installation tools, Recording software and User's Manual, Windows decoder 1-user license, Allen key
Audio		Video management software	AXIS Camera Companion (included), AXIS Camera Station and video management software from Axis' Application Development Partners (not included). For more information, see www.axis.com/products/video/software
Audio streaming	AXIS Q1765-LE: Two-way	Warranty	Axis 3-year warranty and AXIS Extended Warranty option, see www.axis.com/warranty
Audio compression	AXIS Q1765-LE: AAC-LC 8/16 kHz, G.711 PCM 8 kHz, G.726 ADPCM 8 kHz, Configurable bit rate	a. <i>Horizontal angle of view</i> b. <i>This product includes software developed by the OpenSSL Project for use in the OpenSSL Toolkit. (www.openssl.org), and cryptographic software written by Eric Young (eay@cryptsoft.com).</i>	
Audio input/output	AXIS Q1765-LE: Requires multi-connector cable (not included) for external microphone input or line input and line output	More information is available at www.axis.com	
Network			
Security	Password protection, IP address filtering, HTTPS ^b encryption, IEEE 802.1X ^b network access control, Digest authentication, User access log		
Supported protocols	IPv4/v6, HTTP, HTTPS ^b , SSL/TLS ^b , QoS Layer 3 DiffServ, FTP, CIFS/SMB, SMTP, Bonjour, UPnP TM , SNMPv1/v2c/v3 (MIB-II), DNS, DynDNS, NTP, RTSP, RTP, TCP, UDP, IGMP, RTCP, ICMP, DHCP, ARP, SOCKS		
System integration			
Application Programming Interface	Open API for software integration, including VAPIX [®] and AXIS Camera Application Platform, specifications at www.axis.com AXIS Video Hosting System (AVHS) with One-click Connection. ONVIF Profile S, specification at www.onvif.org		
Analytics	Video motion detection, Gatekeeper, Active tampering alarm, AXIS Camera Application Platform enabling installation of additional applications AXIS Q1765-LE: Audio detection		
Event triggers	Intelligent video, Edge storage events AXIS Q1765-LE: External input		